









# FUHO

# IP IR CAMERA

## IP-928CM



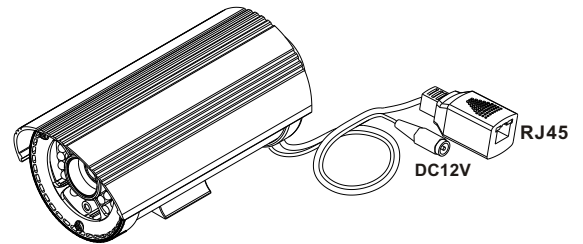
 1/4" CMOS	 28 LEDS	 40 M
 DC12V	 LAN RJ45	 www.

### INTERNET FEATURES

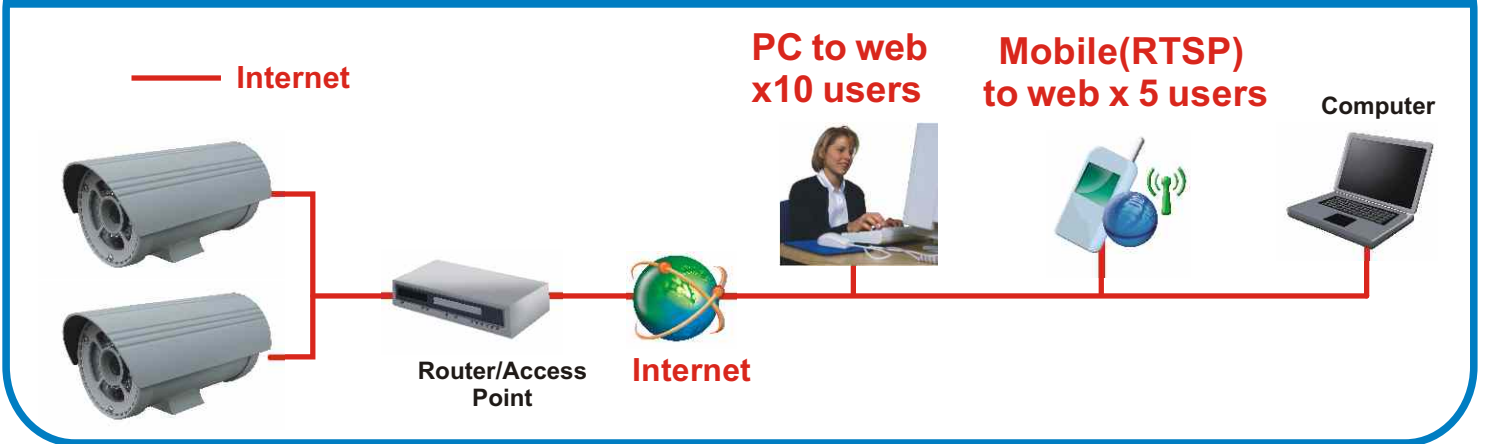
- ▶ Built-in Infra-Red Illuminator, 0Lux (When IR on)
- ▶ Image transmission via Network
- ▶ Dynamic IP & static IP support
- ▶ Dual compression technology JPEG & MPEG-4
- ▶ Compatible with BT.656
- ▶ Built in motion detection & recording functions
- ▶ IE browser remote monitoring & setup support
- ▶ Firmware upgrade via IE browser on line

### CAMERA FEATURES

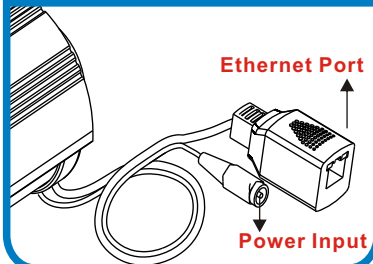
- ▶ 1/4" CMOS images sensor
- ▶ Camera setup : MIRROR · Brightness · Contrast · Sharpness
- ▶ 28 LEDs
- ▶ IR Range : 40M



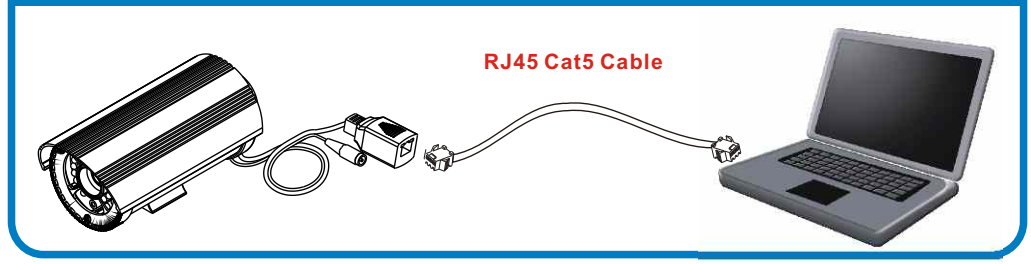
## DIAGRAM OF INSTALLATION



### INSTALLATION



### PC TO IP-CAM CONNECTION





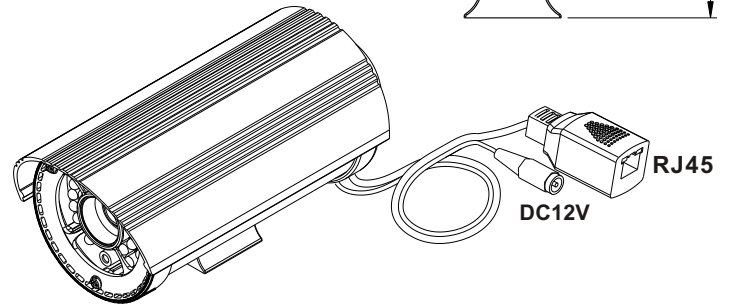
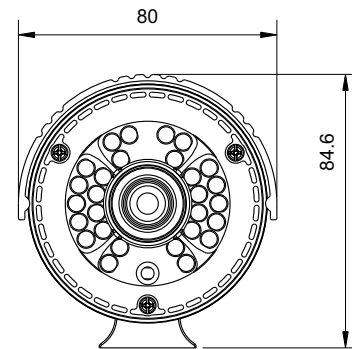
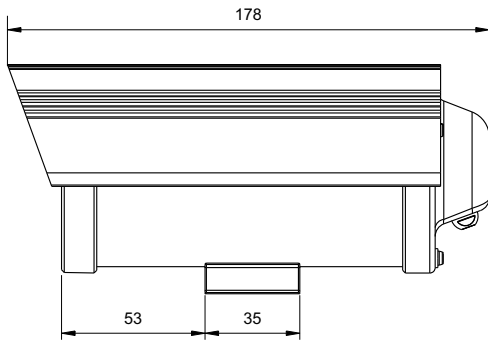
# FUHO

# IP IR CAMERA

## IP-928CM

### Dimensions

UNIT: mm



### Specification

Image Input Format	Digital BT.656 Format, 27MHz
Lens	1/4" CMOS images sensor
Image Format	MPEG4 / JPEG
Resolution/Frame Rate	VGA : 640 × 480 / 30 QVGA : 320 × 240 / 30
Network Protocol	TCP/UDP/IP, DHCP, SMTP, HTTP NTP, DDNS, FTP, TFTP, ARP, UPnP, PPPoE, RTSP
Compression Format	MPEG-4 video stream
Record Format	MPEG-4 video stream
Motion Detection	Image Motion Detection
IE. Brower	Internet Explorer 5. . or above
IPCAM Network Setup	Camera Setting : Brightness, Contrast, Sharpness, Mirror Network Setting: IP Configure, PPPoE, DDNS Image Setting : Resolution, Frame Rate, Compression Rate, P/I Rate, CMOS Frequency Firmware Update Online
INPUT	DC12V JACK for power, RJ-45 Network Port
Infra-Red Distance	40M
LUX	0 LUX -(IR ON) ON
Wavelength	850 nm
Operation Temperature	- 5° C ~ +60°C
Size(W × H × L)	80(W)x84.6(H)x178mm(L)
Weight	About 600g