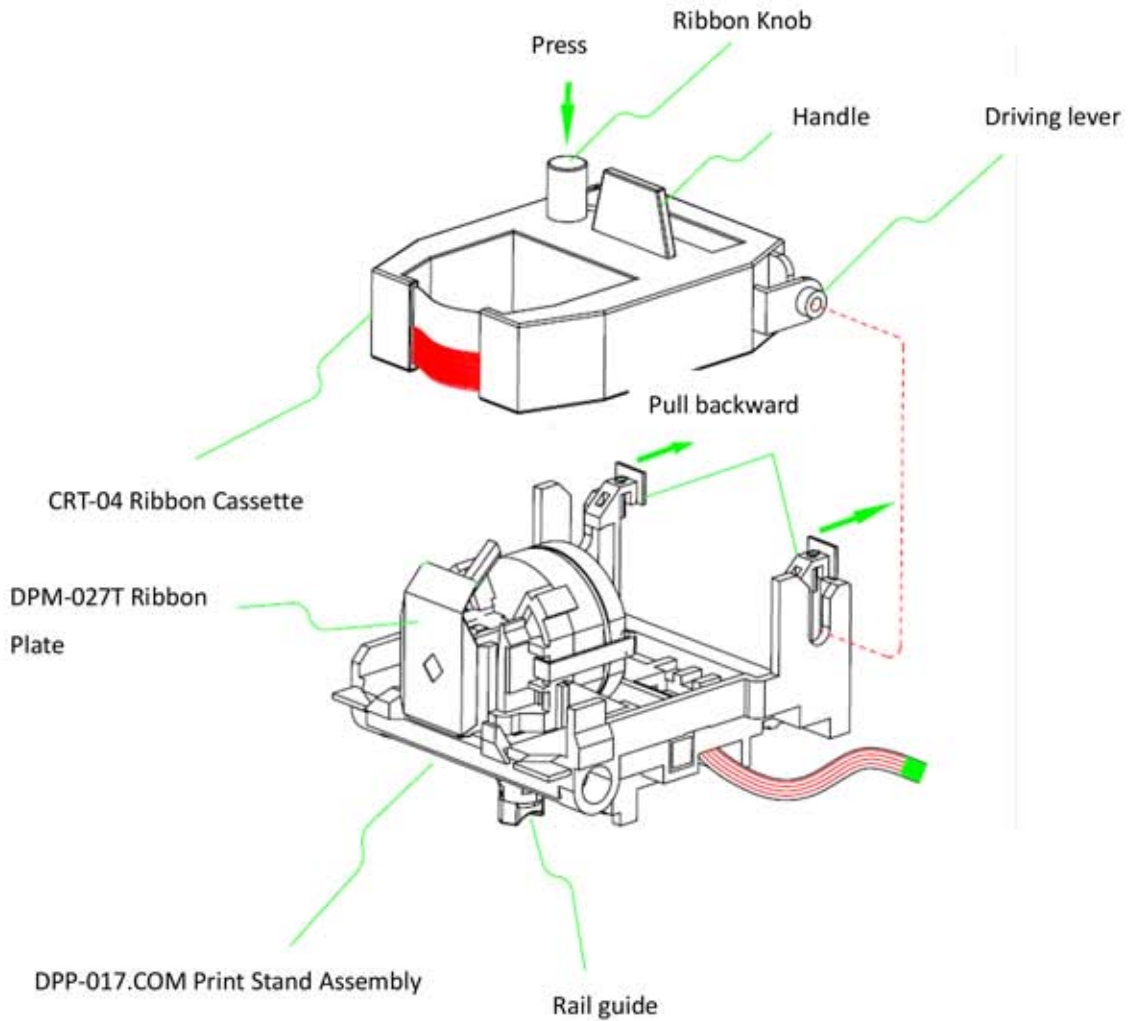


Model No.: NU-81

Ribbon Cassette Replacement



1. Plug the key in the keyhole, open the lid and go to setup mode. Press "P3" then you can see the ribbon holder is move to P3 position.
2. Pull the ribbon holder towards you. Hold them steady in that position. Use the handle to take out the cassette.
3. Correctly insert a new cassette between the printer head and guard slice. Push the cassette head until it clicks into place. Turn the knob clockwise to move any slackness in the ribbon. Put the "Setup" rightward, close the lid and resume to work.