

Model No.: T-200

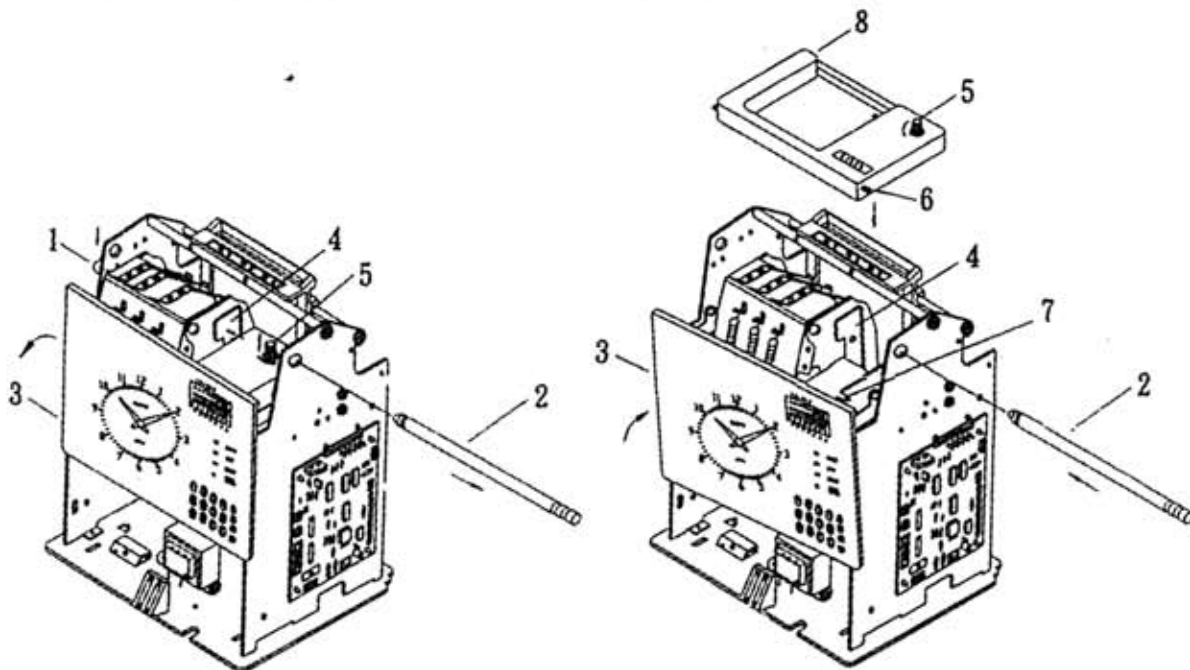
RIBBON — REPLACEMENT OF RIBBON

The following procedure is replacement of ribbon:

- 1) Press down the “shaft holder(1)” to release the “shaft(2)”
- 2) To turn forward the “printing wheel rack (3)” gently; to push down the “ribbon guide (4)” to the left-hand side. And further to pickup the “ribbon feed shaft (5)” and gently take away the old ribbon.
- 3) Hold the new “ribbon cam (6)” to the “ribbon holder (7)” and repeat the captioned procedure to replace the new ribbon in the right position.

- 1) Shaft Holder
- 3) Printing Wheel Rack
- 5) Ribbon Feed Shaft
- 7) Ribbon Holder

- 2) Shaft
- 4) Ribbon Guide
- 6) Ribbon Cam
- 8) Ribbon



(Fig.8a)

(Fig.8b)